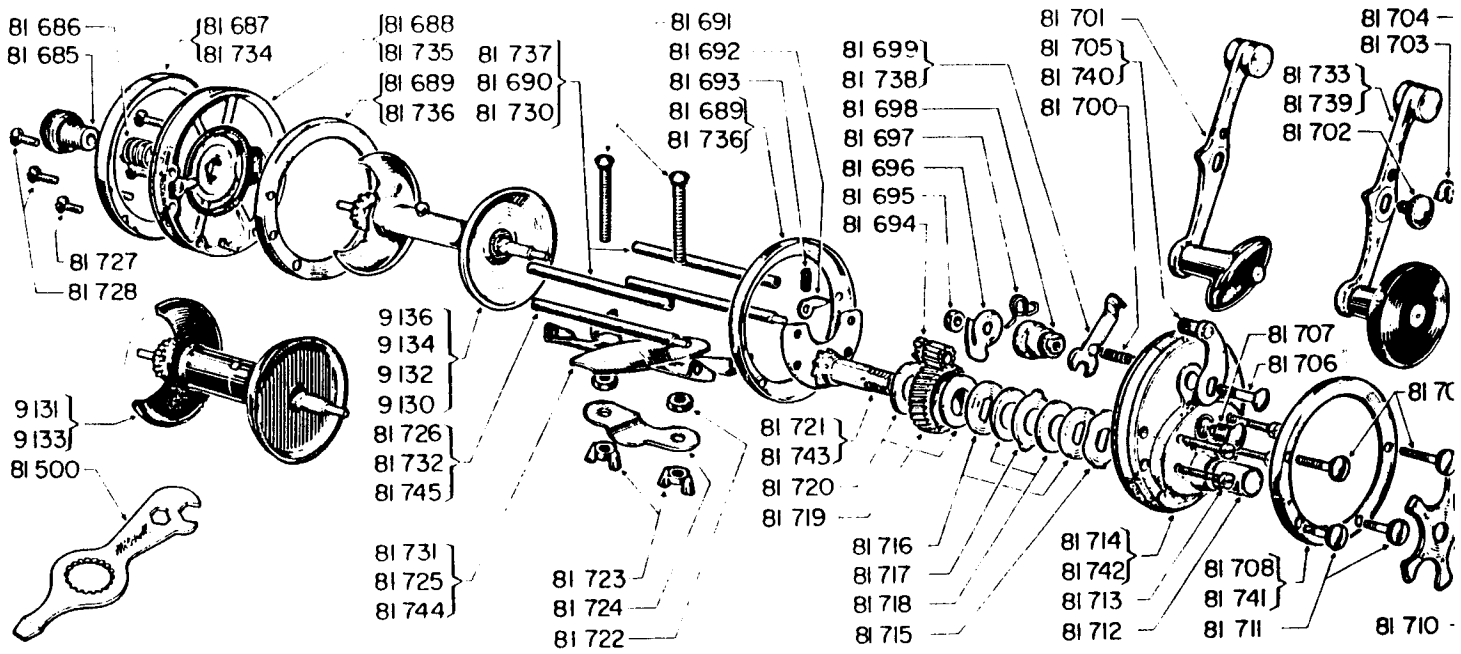


Garcia MITCHELL "600"



Prices subject to change without notice

| No. | Part Name | Price | No. | Part Name | Price | No. | Part Name | Price |
|------------|--|-------|------------|---|-------|-------------|---|-------|
| 9130 (59) | Spool, Metal (600A) (600AP) | 5.50 | 81700 (40) | Clutch Spring | .10 | 81722 (70) | Rod Clamp Lock Nut (ea.) | .15 |
| 9131 (60) | Spool, Fibre-glass (600A) (600AP) | 4.00 | 81701 (15) | Handle Complete (600A) (600AP) (602A) (602AP) | 3.25 | 81723 (71) | Rod Clamp Wing Nut (ea.) | .35 |
| 9132 (61) | Spool, Metal (602A) (602AP) (620) | 5.50 | 81702 (32) | Handle Screw | .45 | 81724 (73) | Rod Clamp | .60 |
| 9133 (62) | Spool, Fibre-glass (602A) (602AP) (620) | 4.00 | 81703 (33) | Handle Screw Lock | .15 | 81725 (58) | Reel Foot (600A) (600AP) (624) | 2.50 |
| 9134 (63) | Spool, Metal (624) | 6.00 | 81704 (34) | Handle Lock Screw | .10 | 81726 (88) | Lower Frame Post (600A) (600AP) (624) | .30 |
| 9136 (65) | Spool, Metal (622) | 6.00 | 81705 (11) | Free Spool Lever (600A) (600AP) (602A) (602AP) (620) | .45 | 81727 (86) | Left Reel Foot Screw (ea.) | .10 |
| 81500 (74) | Utility Tool | .35 | 81706 (37) | Free Spool Lever Screw | .30 | 81728 (81) | Left Side Plate Screw (ea.) | .10 |
| 81685 (44) | Left Bearing | 1.00 | 81707 (43) | Right Bearing | .50 | 81730 (52) | Upper Frame Post | .40 |
| 81686 (45) | Left Bearing Spring | .10 | 81708 (91) | Right Outer Ring (600A) (600AP) (602A) (602AP) (620) | 1.05 | 81731 (56) | Reel Foot (602A) (602AP) (620) | 1.75 |
| 81687 (82) | Left Outer Ring (600A) (600AP) (602A) (602AP) (620) | 1.10 | 81709 (96) | Right Side Plate Screw (ea.) | .25 | 81732 (87) | Lower Frame Post (622) | .55 |
| 81688 (84) | Left Side Plate (600A) (600AP) (602A) (602AP) (620) | 2.55 | 81710 (30) | Star Wheel | 1.00 | 81733 (97) | Handle Complete (620) | 3.25 |
| 81689 (9) | Inner Ring (600A) (600AP) (602A) (602AP) (620) (ea.) | 1.10 | 81711 (95) | Right Reel Foot Screw (ea.) | .35 | 81734 (83) | Left Outer Ring (622) (624) | 1.25 |
| 81690 (53) | Upper Frame Post | .35 | 81712 (29) | Drag Sleeve | .25 | 81735 (85) | Left Side Plate (622) (624) | 2.75 |
| 81691 (72) | Rod Clamp Screw (ea.) | .30 | 81713 (28) | Bridge Screw (ea.) | .10 | 81736 (10) | Inner Ring (622) (624) (ea.) | 1.25 |
| 81692 (26) | Anti Reverse Dog | .15 | 81714 (89) | Right Side Plate (600) (600AP) (602A) (602AP) (620) | 2.50 | 81737 (54) | Upper Frame Post | .45 |
| 81693 (27) | Anti Reverse Dog Spring | .10 | 81715 (25) | Keyed Spring Washer | .30 | 81738 (14) | Pinion Yoke (622) (624) | .65 |
| 81694 (19) | Pinion Gear | 1.75 | 81716 (22) | Drag Disk (ea.) | .10 | 81739 (98) | Handle Complete (622) (624) | 3.50 |
| 81695 (41) | Clutch Assembly Nut | .10 | 81717 (24) | Keyed Washer | .10 | 81740 (12) | Free Spool Lever (622) (624) | .45 |
| 81696 (39) | Clutch Cam | .50 | 81718 (23) | Fibre Drag Washer (ea.) | .10 | 81741 (92) | Right Outer Ring (622) (624) | 1.15 |
| 81697 (38) | Clutch Cam Spring | .15 | 81719 (20) | Main Gear | 1.75 | 81742 (90) | Right Side Plate (622) (624) | 2.80 |
| 81698 (36) | Clutch Release | .35 | 81720 (21) | Base Drag Washer (ea.) | .10 | 81743 (18) | Gear Bridge with Main Shaft (622) (624) | 3.00 |
| 81699 (13) | Pinion Yoke (600A) (600AP) (602A) (602AP) (620) | .65 | 81721 (17) | Gear Bridge with Main Shaft (600A) (600AP) (602A) (602AP) (620) | 2.80 | 81744 (57) | Reel Foot (622) | 2.00 |
| | | | | | | 81745 (100) | Lower Frame Post (602A) (602AP) (620) | .55 |

Please specify both reel model and part numbers when ordering.

PARTS AND SERVICE AVAILABLE AT THE FOLLOWING REGIONAL FACTORY REPAIR DEPOT

REEL SERVICE AND PARTS

SHERMAN LOYD SALES COMPANY
4737 GREENVILLE AVENUE
DALLAS, TEXAS 75206

HARRY C. MILLER CO., INC.
257 PARK AVENUE SOUTH
NEW YORK, NEW YORK 10010

NATE BUELL SERVICE CORPORATION
5013 N. E. 42nd STREET
PORTLAND, OREGON 97218

RODS, REELS AND PARTS SERVICE
THE GARCIA SERVICE DEPARTMENT
329 ALFRED AVENUE
TEANECK, NEW JERSEY 07666

THE CONOLON CORPORATION
1111 EAST McFADDEN STREET
SANTA ANA, CALIFORNIA 92705

SILICOTE SALES DIVISION
520 WEST 14th AVENUE
OSHKOSH, WISCONSIN 54902

J. K. CLARK COMPANY
ACO SPORTSMEN SERVICE
13501 VAN DYKE
DETROIT, MICHIGAN 48234