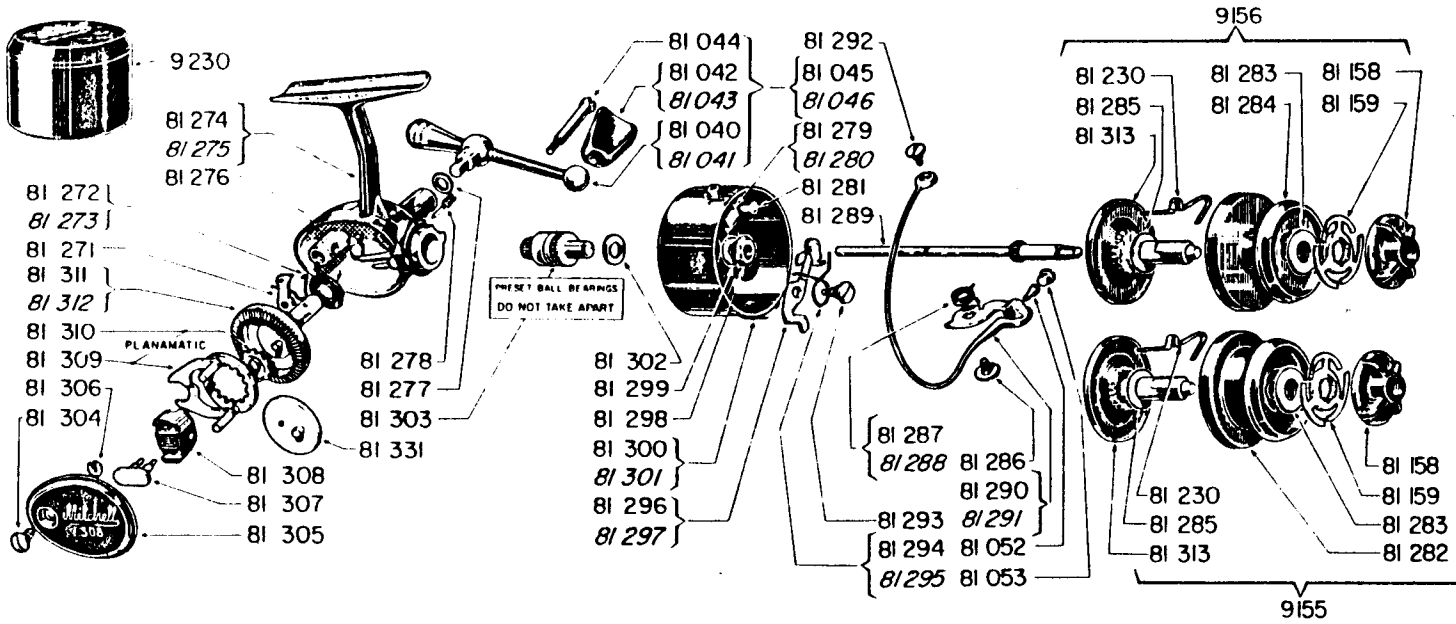


# Garcia MITCHELL 308-309



Prices subject to change without notice

Items in red for left hand model 309

\*81331 replaces 81309 and 81310 to convert planamatic gearing to crosswind

No.	Part Name	Price	No.	Part Name	Price	No.	Part Name	Price
9155	Spool Complete Small, less container	2.75	81275 (53L)	Housing (309)	5.00	81296 (68)	Trip Lever (308)	.50
9156	Spool Complete Large, less container	2.75	81276 (99)	Thrust Washer	.10	81297 (68L)	Trip Lever (309)	.50
9230	Spool Container	.60	81277 (54)	Handle Spacer	.10	81298 (67)	Hex Nut	.10
81040 (55)	Handle Shank (308)	1.25	81278 (58)	Pinion Set Screw	.10	81299 (66)	Hex Nut Lock Washer	.10
81041 (55L)	Handle Shank (309)	1.25	81279 (96)	Counterweight (308)	.40	81300 (65)	Rotating Head (308)	3.00
81042 (56)	Handle Knob (308)	.25	81280 (96L)	Counterweight (309)	.40	81301 (65L)	Rotating Head (309)	3.00
81043 (56L)	Handle Knob (309)	.25	81281 (97)	Counterweight Screw (ea.)	.10	81302 (64)	"D" Washer	.10
81044 (58)	Handle Knob Screw	.10	81282 (86)	Spool Shell, Small (9155)	1.50	81303 (88)	Pinion Gear and Ball Bearing Assembly, (Do not take apart)	4.00
81045 (89)	Handle Complete (308)	1.50	81283 (82)	Fibre Drag Washer	.10	81304 (43)	Side Plate Screw	.20
81046 (89L)	Handle Complete (309)	1.50	81284 (81)	Spool Shell, Large (9156)	2.10	81305 (44)	Side Plate	.50
81052 (76)	Line Guide	.75	81285 (42)	Teflon Base Washer	.10	81306 (45)	"C" Lock	.10
81053 (77)	Line Guide Screw	.10	81286 (75)	Bail Screw No. 1	.15	81307 (46)	Oscillation Slide Lock	.20
81158 (83)	Drag Adjusting Knob	.20	81287 (74)	Bail Spring (308)	.15	81308 (47)	Oscillation Slide	.25
81159 (84)	Brake Spring	.25	81288 (74L)	Bail Spring (309)	.15	81309 (48)	Cam Ring Assembly	.60
81230 (80)	Click Spring	.10	81289 (73)	Axle	.75	81310 (49)	Planamatic Gear	.40
81271 (51)	Anti Reverse Dog	.10	81290 (72)	Bail (308)	2.50	81311 (50)	Drive Gear (308)	3.00
81272 (52)	Anti Reverse Dog Spring (308)	.10	81291 (72L)	Bail (309)	2.50	81312 (50L)	Drive Gear (309)	3.00
81273 (52L)	Anti Reverse Dog Spring (309)	.10	81292 (71)	Bail Screw No. 2	.15	81313 (78)	Spindle	.75
81274 (53)	Housing (308)	5.00	81293 (70)	Trip Lever Screw	.10	*81331 (90)	Crosswind Cam	.60
			81294 (69)	Trip Lever Spring (308)	.10			
			81295 (69L)	Trip Lever Spring (309)	.10			

Please specify both reel model and part numbers when ordering.

## PARTS AND SERVICE AVAILABLE AT THE FOLLOWING REGIONAL FACTORY REPAIR DEPOTS:

**FACTORY SERVICE**  
RODS, REELS AND PARTS

**THE GARCIA SERVICE DEPARTMENT**  
329 ALFRED AVENUE  
TEANECK, NEW JERSEY 07666

**THE CONOLON CORPORATION**  
1111 EAST McFADDEN STREET  
SANTA ANA, CALIFORNIA 92705

**SILICOTE SALES DIVISION**  
520 WEST 14th AVENUE  
OSHKOSH, WISCONSIN 54902

**J. K. CLARK COMPANY**  
ACD SPORTSMEN SERVICE  
13501 VAN DYKE  
DETROIT, MICHIGAN 48234

**REEL SERVICE AND PARTS**

**NATE BUELL SERVICE CORPORATION**  
5013 N.E. 42nd STREET  
PORTLAND, OREGON 97218

**HARRY C. MILLER CO., INC.**  
257 PARK AVENUE SOUTH  
NEW YORK, NEW YORK 10010

**SHERMAN LOYD SALES COMPANY**  
4737 GREENVILLE AVENUE  
DALLAS, TEXAS 75206