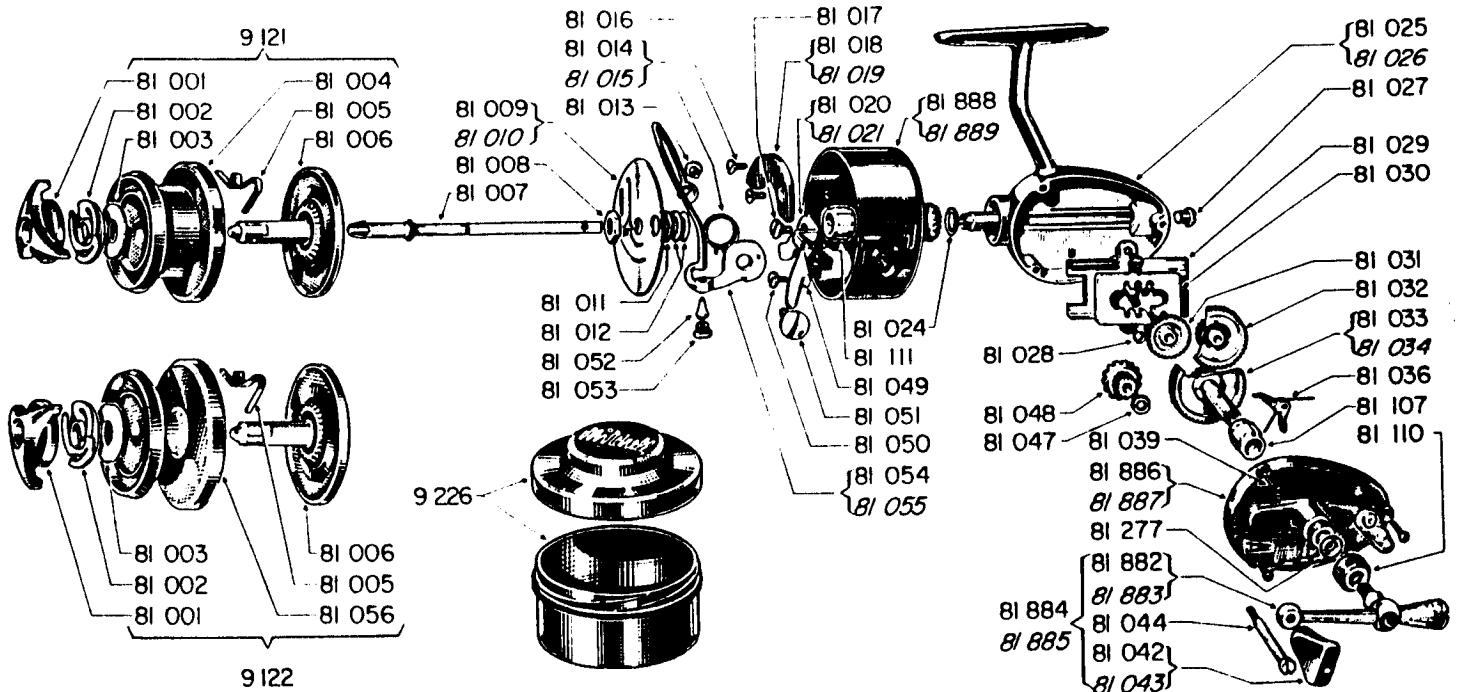




MITCHELL 300C-301C



Prices subject to change without notice
Items in red for left hand model 301C

*Use only the number of shims required for smoothest performance

No.	Part Name	Price	No.	Part Name	Price	No.	Part Name	Price
9121	Spool Complete Small, less container	2.75	81016	Counterweight Screw (ea.)	.10	81048	Pinion Gear	.65
9122	Spool Complete Large, less container	2.75	81017	Trip Lever Screw	.10	81049	Trip Lever Spring	.10
9223	Accessory Handle, Torpedo Knob (300C)	2.25	81018	Counterweight (300C)	.45	81050	Trip Lever Spring Screw	.05
9224	Accessory Handle, Torpedo Knob (301C)	2.25	81019	Counterweight (301C)	.45	81051	Bail Screw No. 1	.20
9226	Spool Container	.60	81020	Trip Lever (300C)	.25	81052	Line Guide	.75
9231	Combination Tool	1.10	81021	Trip Lever (301C)	.25	81053	Line Guide Screw	.10
81001	Drag Adjusting Knob	.25	*81024	Shims To Adjust Head and Housing (set of 3)	.30	81054	Bail (300C)	2.50
81002	Brake Spring	.30	81025	Housing (300C)	3.50	81055	Bail (301C)	2.50
81003	Teflon Drag Washer	.10	81026	Housing (301C)	3.50	81056	Spool Shell, Large	2.00
81004	Spool Shell, Small	1.10	81027	Lube Port Screw	.10	81057	Handle Shank (300C) (9223)	1.50
81005	Click Spring	.10	81028	Oscillation Guide Screw (ea.)	.05	81058	Handle Shank (301C) (9224)	1.50
81006	Spindle	1.00	81029	Oscillation Guide	.30	81059	Knob Lube Port (9223)	.10
81007	Axle	.75	81030	Oscillation Slide	.45	81060	Handle Knob (9223) (9224)	.50
81008	Hex Nut	.10	81031	Pivot Gear	.45	81107	Coverplate Bearing	.50
81009	Baffle Plate (300C)	.40	81032	Transfer Gear	.45	81110	Dust Shield	.20
81010	Baffle Plate (301C)	.40	81033	Drive Gear (300C)	1.25	81111	Rotating Head Bearing	.50
81011	Baffle Plate Washer	.10	81034	Drive Gear (301C)	1.25	81277	Handle Spacer	.10
*81012	Shims To Adjust Head and Baffle Plate (set of 3)	.30	81036	Anti Reverse Dog	.25	81882	Handle Shank (300C)	1.40
81013	Bail Screw No. 2	.15	81039	Cover Screw (ea.)	.10	81883	Handle Shank (301C)	1.40
81014	Bail Spring (300C)	.15	81042	Handle Knob (300C)	.25	81884	Handle Complete, Standard (300C)	1.75
81015	Bail Spring (301C)	.15	81043	Handle Knob (301C)	.25	81885	Handle Complete, Standard (301C)	1.75
			81044	Handle Knob Screw	.10	81886	Coverplate (300C)	3.25
			*81047	Shims To Adjust Pinion Gear (set of 2)	.20	81887	Coverplate (301C)	3.25
						81888	Rotating Head (300C)	3.50
						81889	Rotating Head (301C)	3.50

Please specify both reel model and part numbers when ordering.

PARTS AND SERVICE AVAILABLE AT THE FOLLOWING REGIONAL FACTORY REPAIR DEPOTS:

**FACTORY SERVICE
RODS, REELS AND PARTS**

**THE GARCIA SERVICE DEPARTMENT
329 ALFRED AVENUE
TEANECK, NEW JERSEY 07666**

**THE CONOLON CORPORATION
1111 EAST McFADDEN STREET
SANTA ANA, CALIFORNIA 92705**

**SILICOTE SALES DIVISION
520 WEST 14th AVENUE
OSHKOSH, WISCONSIN 54902**

**J. K. CLARK COMPANY
ACO SPORTSMEN SERVICE
13501 VAN DYKE
DETROIT, MICHIGAN 48234**

REEL SERVICE AND PARTS

**NATE BUELL SERVICE CORPORATION
5013 N.E. 42nd STREET
PORTLAND, OREGON 97218**

**HARRY C. MILLER CO., INC.
257 PARK AVENUE SOUTH
NEW YORK, NEW YORK 10010**

**SHERMAN LOYD SALES COMPANY
4737 GREENVILLE AVENUE
DALLAS, TEXAS 75206**